



Cordlok

High Flow • High Impact No Break Polypropylene

Available in Natural White
(other colours also available)



ISO 9001:2015
FM 518636

WEIGHT: 14.4 grams/unit (0.032 lbs.)

1000 complete units per box

33 lbs. per box

32 boxes per pallet

PALLET SIZE: 48" x 48" x 50"(h)

Improved Design

No more issues with jammed parts and cords

More efficient/user friendly

Easy opening/closing



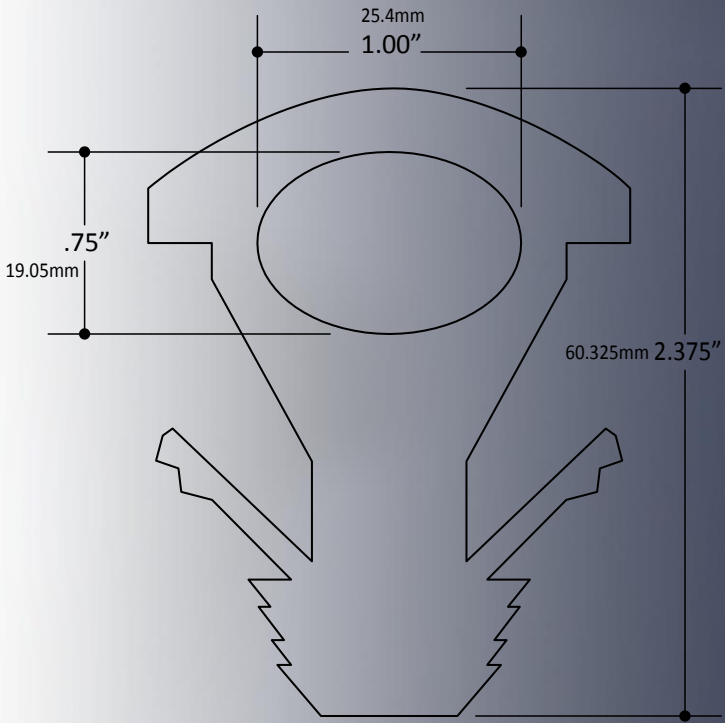
See detailed drawing and measurements on back page



3110 – 80th Ave S.E.
Calgary, Alberta T2C 1J3

bwi-1.com
sales@bwi-1.com

p. 403.720.6229
f. 403.720.6226
tf. 1.877.720.6229



TOP VIEW

